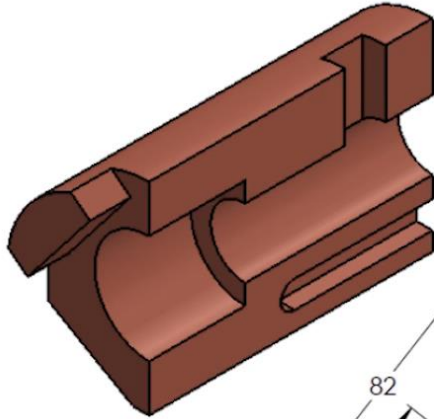
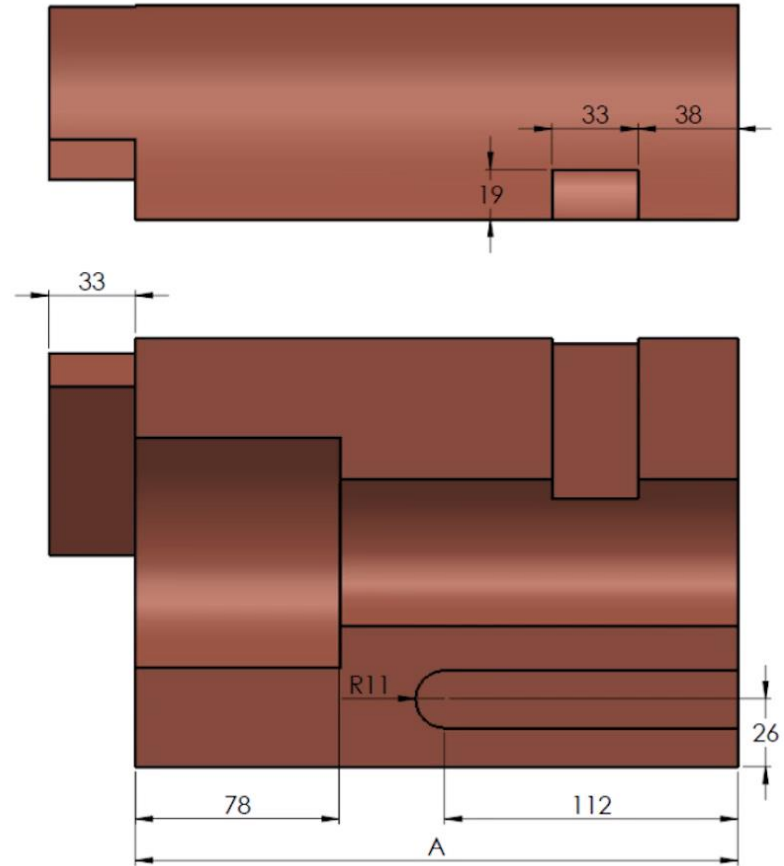
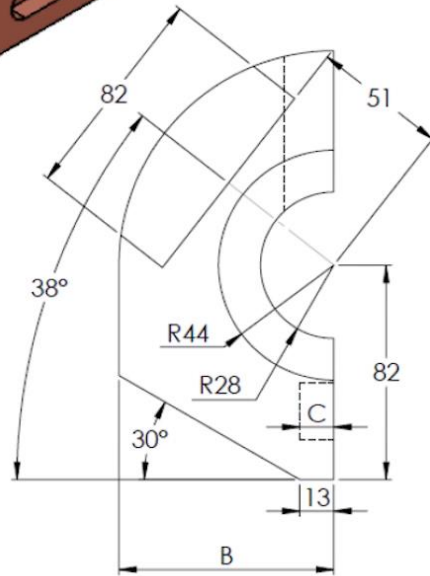


CSWA PRACTICE QUESTION 5



Material: Copper
A = 230.00
B = 82.00
C = 13.00

Mass: 18027.44 g



Section 2

A = 235

B = 85

C = 15

Mass = 19539.19 g