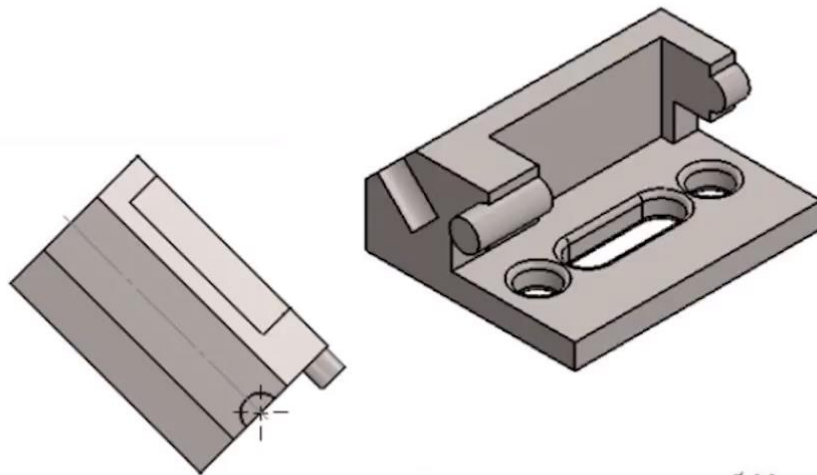
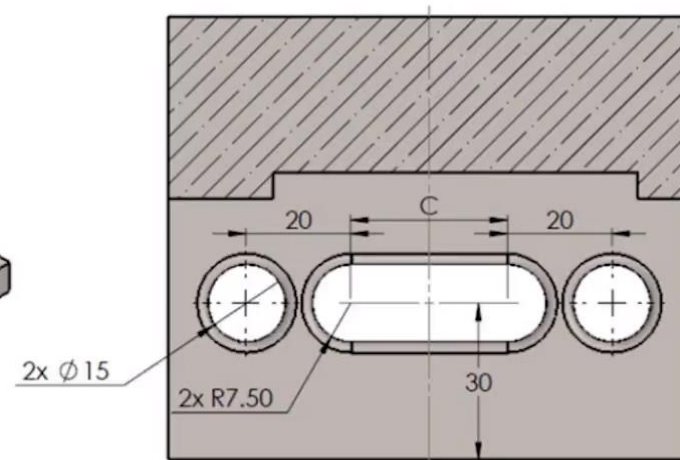


CSWA PRACTICE QUESTION 4

Q1)



SECTION B-B



SECTION A-A

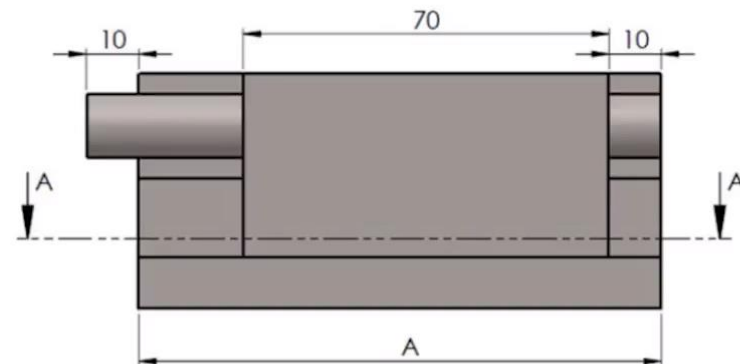
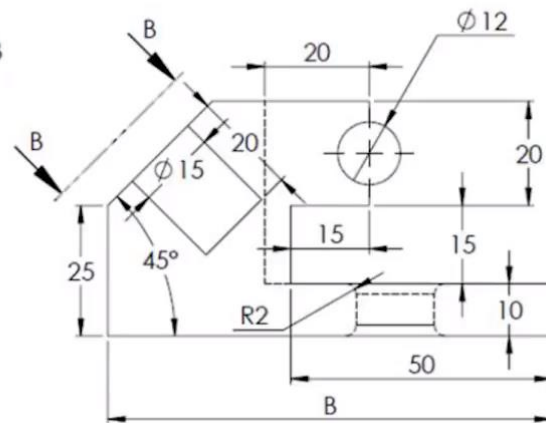
Material: Titanium

A = 100.00

B = 85.00

C = 30.00

Mass: 805.68 g



Q2)

A = 105

B = 89

C = 33

Mass = 941.83g