

8

7

6

5

4

3

2

1

F

F

E

E

D

D

C

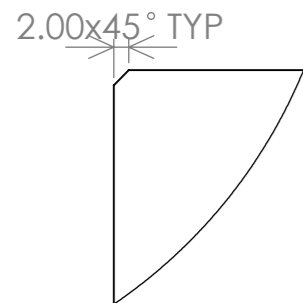
C

B

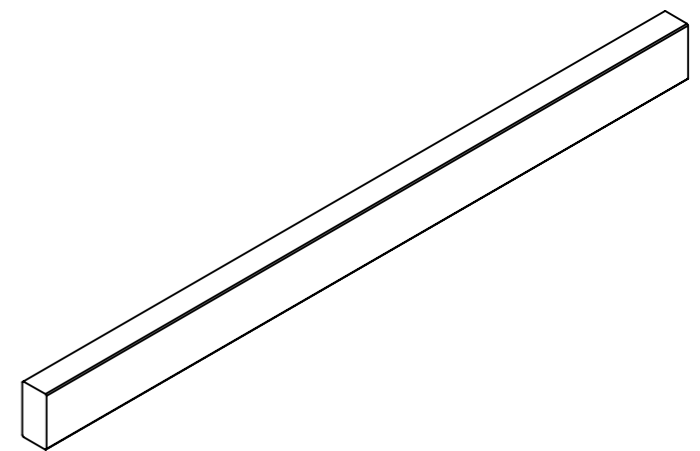
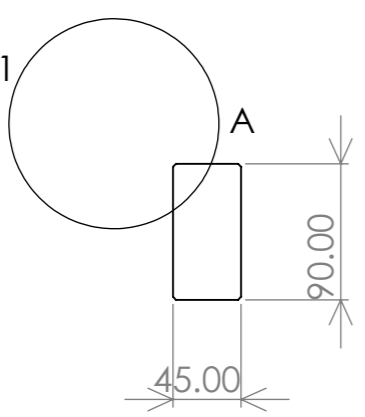
B

A

A



DETAIL A  
SCALE 1:1



UNLESS OTHERWISE SPECIFIED: DIMENSIONS ARE IN MILLIMETERS			FINISH:		DEBURR AND BREAK SHARP EDGES		DO NOT SCALE DRAWING		REVISION	
SURFACE FINISH:										
TOLERANCES:										
LINEAR:										
ANGULAR:										
	NAME	SIGNATURE	DATE				TITLE:			
DRAWN							Pine Timber Framing Long			
CHK'D										
APPV'D										
MFG										
Q.A										
					MATERIAL:		DWG NO.		A3	
					WEIGHT:		SCALE 1:5		SHEET 1 OF 1	

8

7

6

5

4

3

2

1