

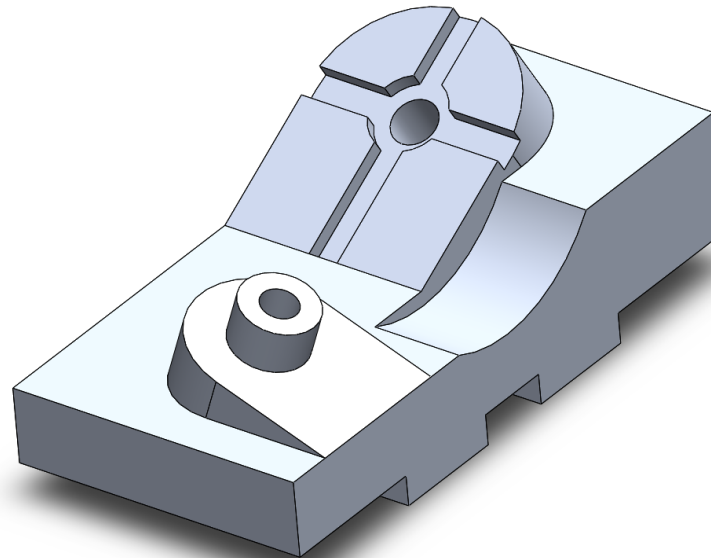
CSWA PRACTICE QUESTION 6

Material: 6061
Alloy. Density =
0.0027g/mm³

Unit system:
MMGS
(millimeter, gram,
second)

Decimal places: 2.

Part origin:
Arbitrary



Holes are through all

Mass = 2040.57 g

